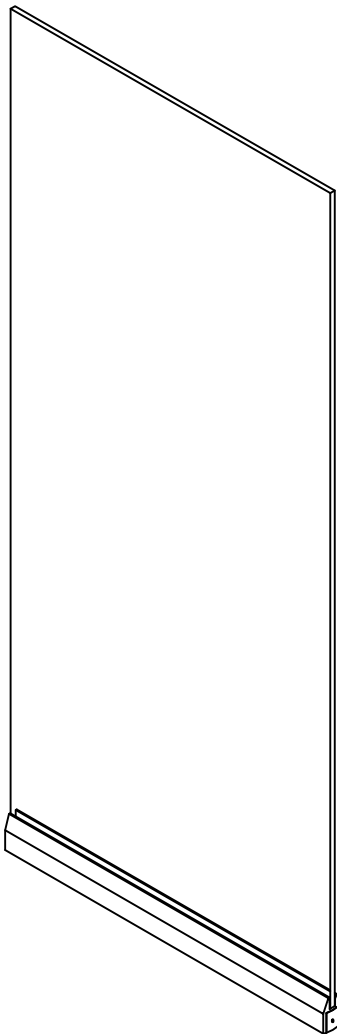


# FIXED PANEL PL150 BTTM.

**PRL** GLASS  
SYSTEMS  
INC.



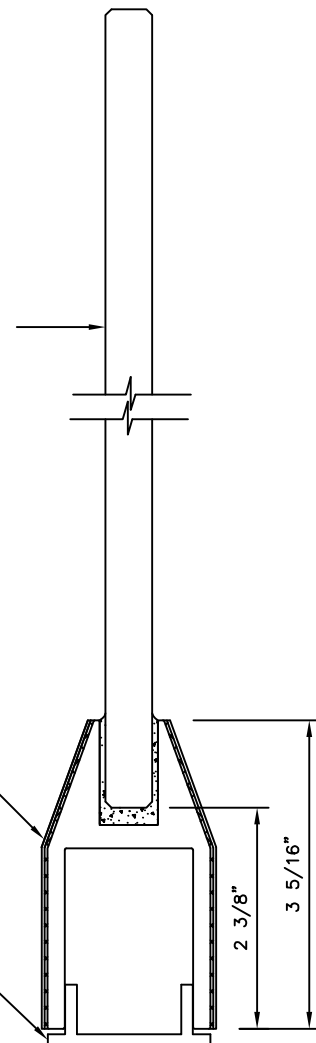
\* FINISHES AVAILABLE :  
# 8 POLISHED & # 4 SATIN  
STAINLESS  
US3 POLISHED & US4 SATIN  
BRASS ( NON LACQUER COATED)  
US10B  
ANODIZED PAINTED



$\frac{1}{2}$ " CLEAR TEMPERED GLASS  
BY P.R.L. GLASS

PL-150 BTM RAIL  
(CLAD)  
BY P.R.L. GLASS

SETTING TRACK  
BY P.R.L. GLASS

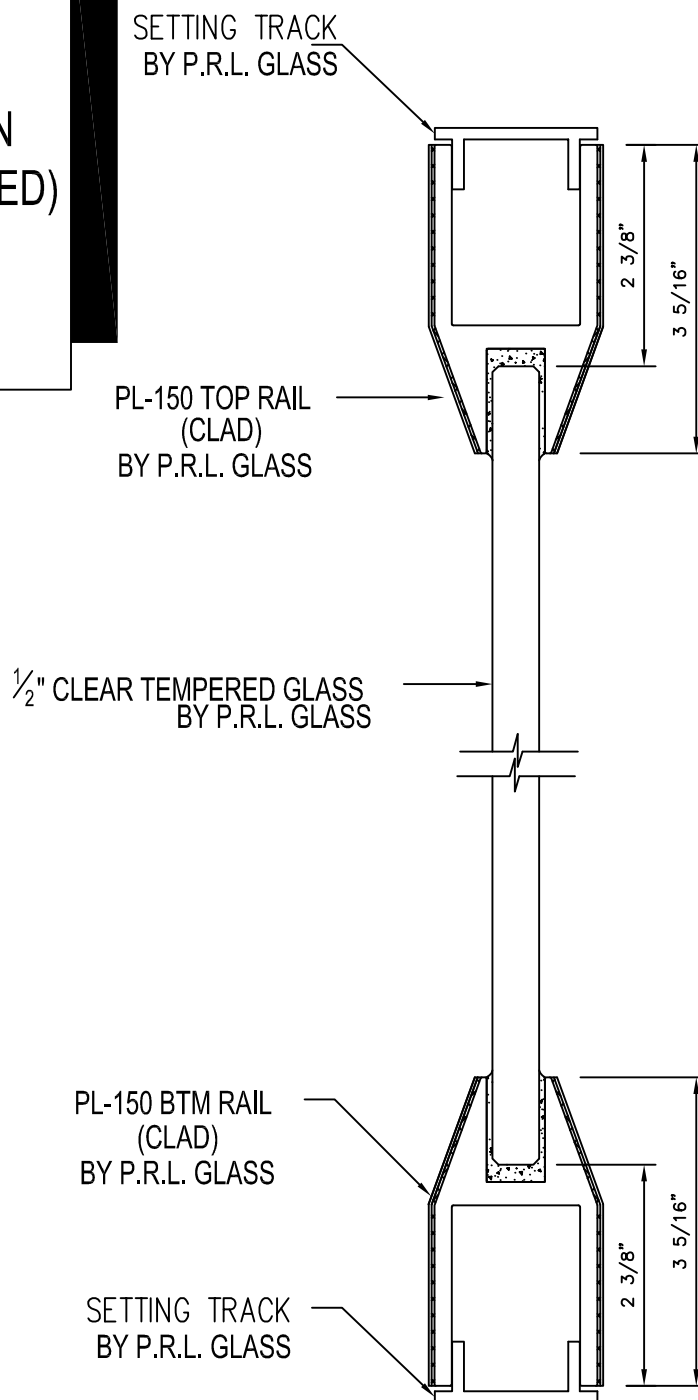
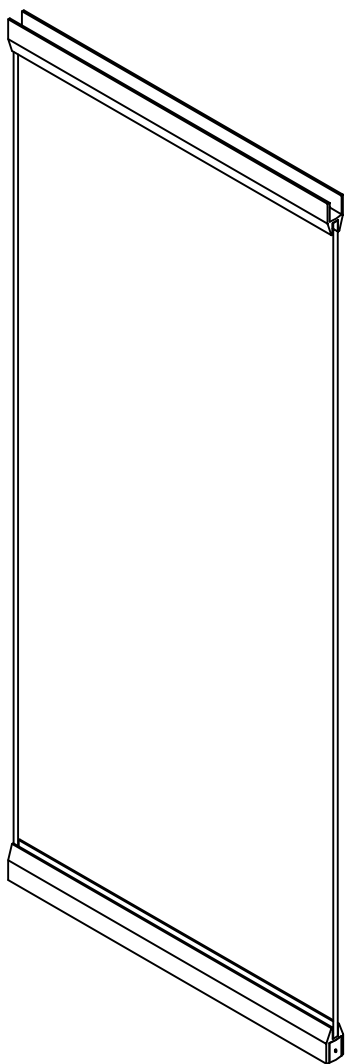


# FIXED PANEL PL150 TOP & BTM.

**PRL** GLASS SYSTEMS INC.



\* FINISHES AVAILABLE :  
# 8 POLISHED & # 4 SATIN  
STAINLESS  
US3 POLISHED & US4 SATIN  
BRASS ( NON LACQUER COATED )  
US10B  
ANODIZED PAINTED

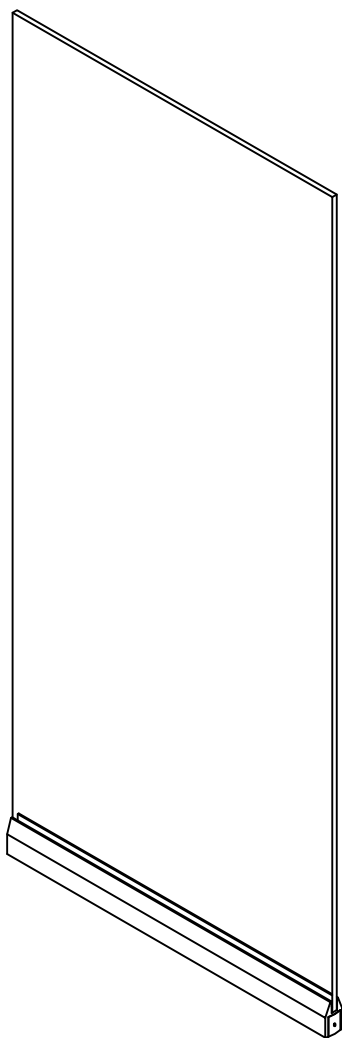


# FIXED PANEL PL175 BTM.

**PRL** GLASS  
SYSTEMS  
INC.



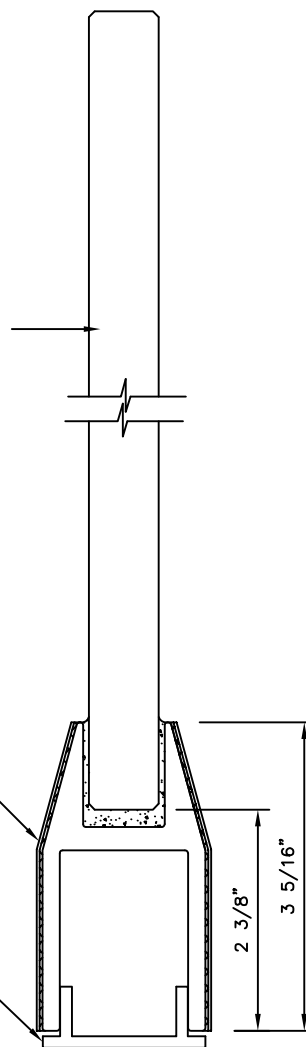
\* FINISHES AVAILABLE :  
# 8 POLISHED & # 4 SATIN  
STAINLESS  
US3 POLISHED & US4 SATIN  
BRASS ( NON LACQUER COATED )  
US10B  
ANODIZED PAINTED



$\frac{3}{4}$ " CLEAR TEMPERED GLASS  
BY P.R.L. GLASS

PL-175 BTM RAIL  
(CLAD)  
BY P.R.L. GLASS

SETTING TRACK  
BY P.R.L. GLASS

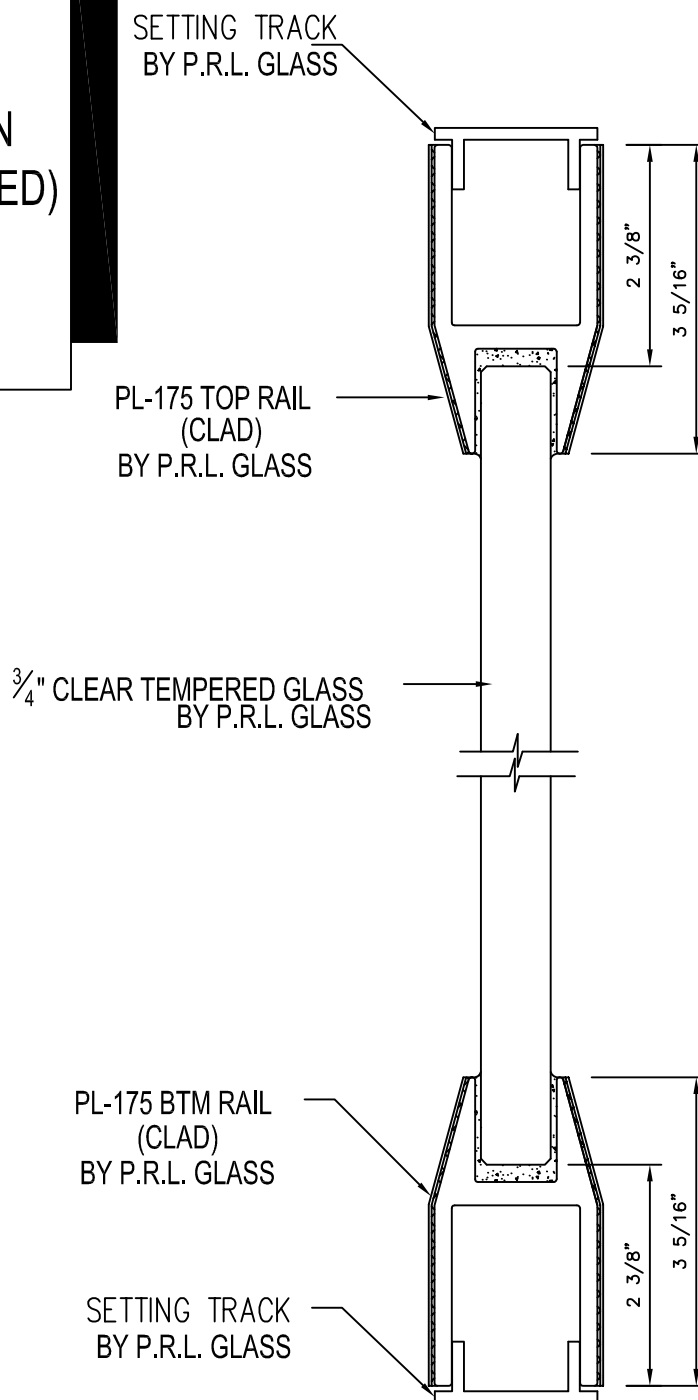
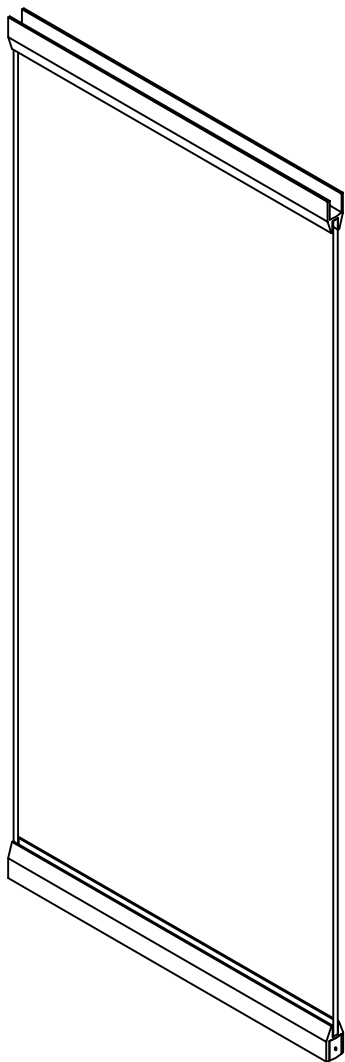


# FIXED PANEL PL175 TOP & BTM.

**PRL** GLASS SYSTEMS  
INC.



\* FINISHES AVAILABLE :  
# 8 POLISHED & # 4 SATIN  
STAINLESS  
US3 POLISHED & US4 SATIN  
BRASS ( NON LACQUER COATED )  
US10B  
ANODIZED PAINTED

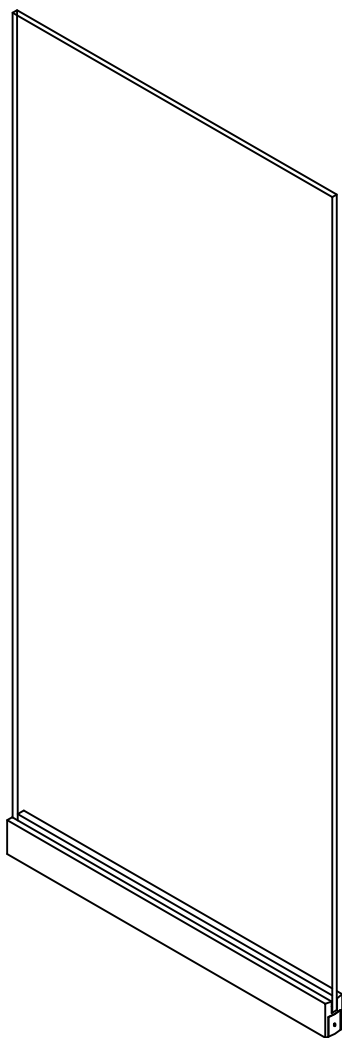


# FIXED PANEL PL350 BTM.

**PRL** GLASS  
SYSTEMS  
INC.



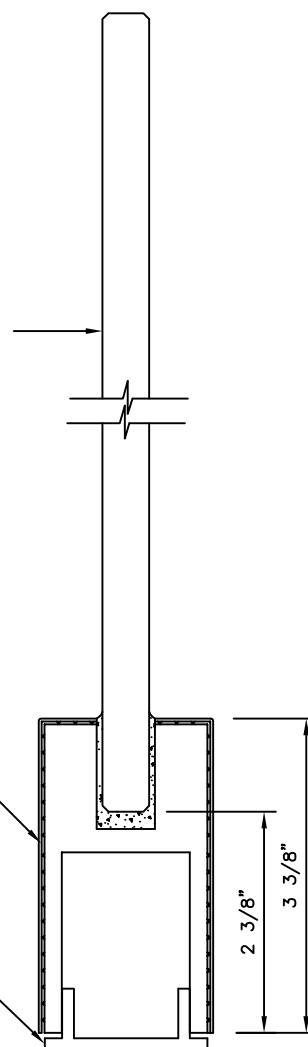
\* FINISHES AVAILABLE :  
# 8 POLISHED & # 4 SATIN  
STAINLESS  
US3 POLISHED & US4 SATIN  
BRASS ( NON LACQUER COATED)  
US10B  
ANODIZED PAINTED



$\frac{1}{2}$ " CLEAR TEMPERED GLASS  
BY P.R.L. GLASS

PL-350 BTM RAIL  
(CLAD)  
BY P.R.L. GLASS

SETTING TRACK  
BY P.R.L. GLASS

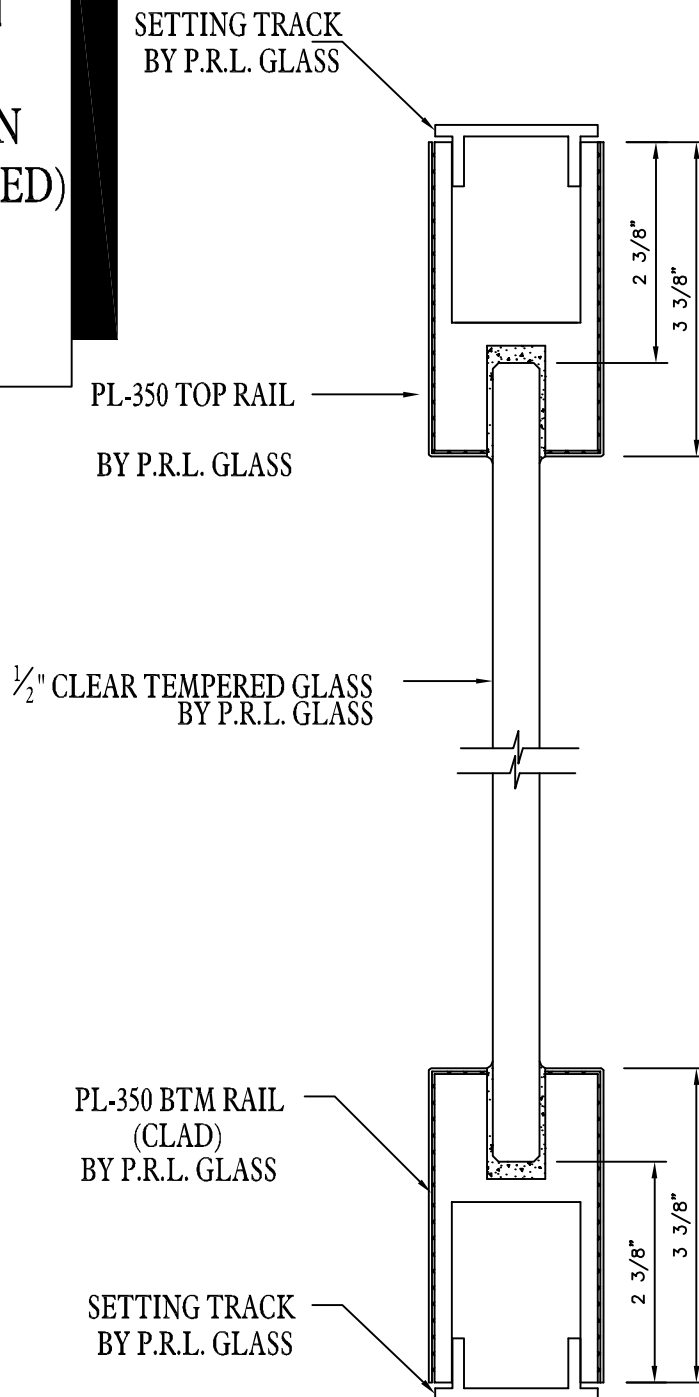
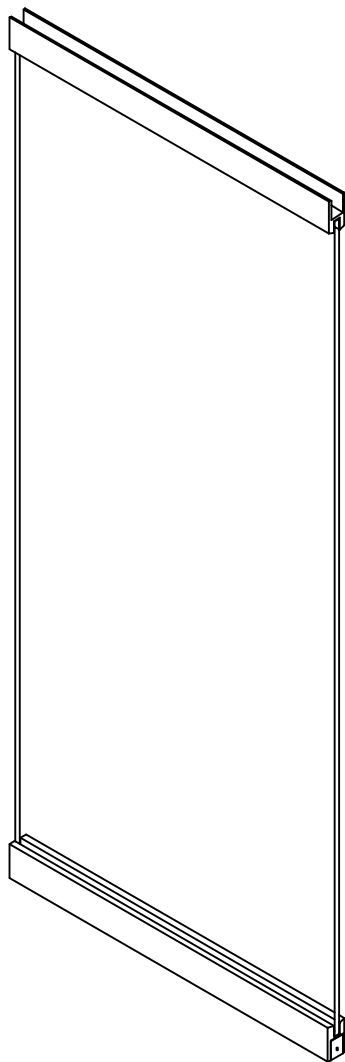


# FIXED PANEL PL350 TOP & BTM.

**PRL** GLASS SYSTEMS  
INC.



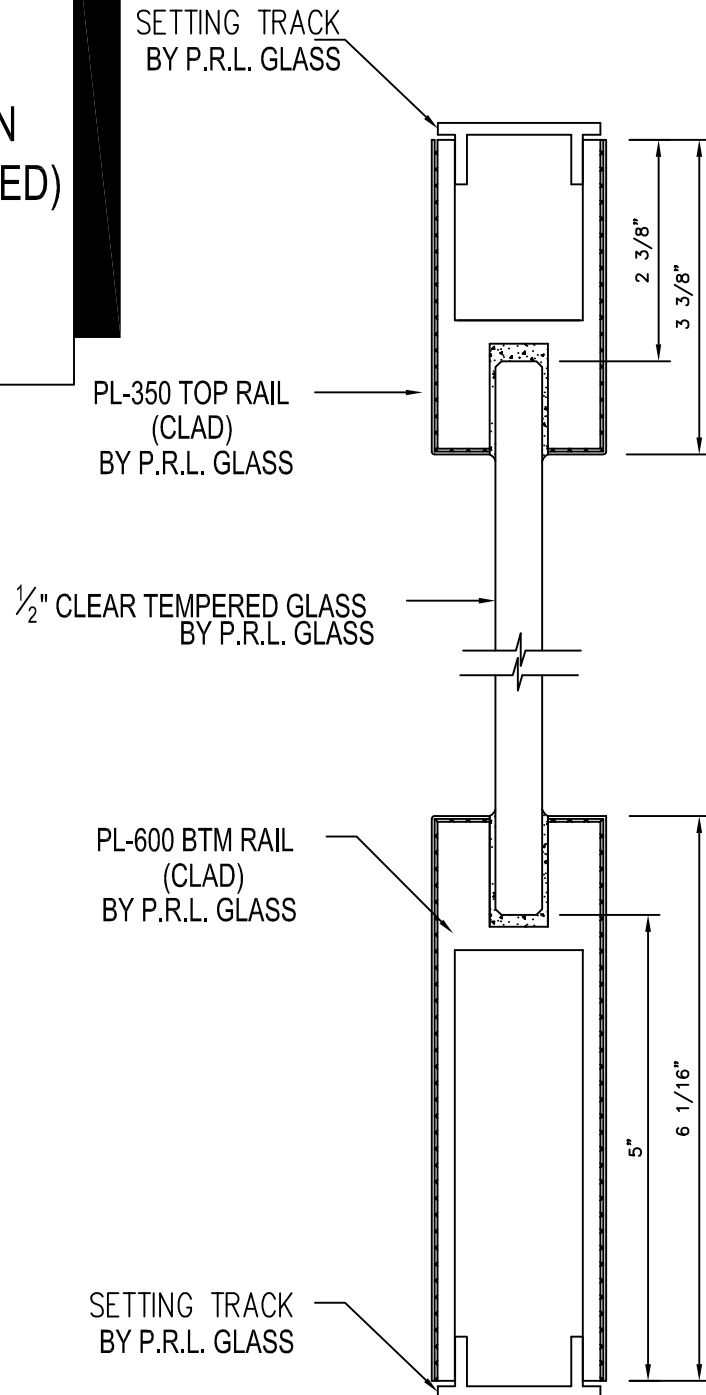
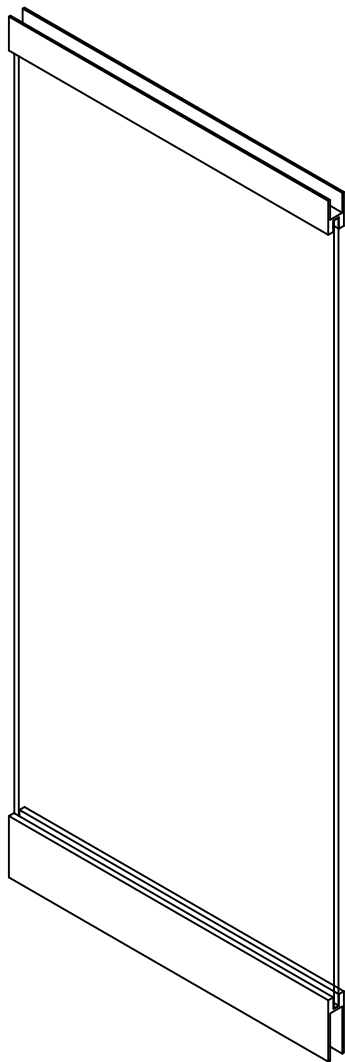
\* FINISHES AVAILABLE :  
# 8 POLISHED & # 4 SATIN  
STAINLESS  
US3 POLISHED & US4 SATIN  
BRASS ( NON LACQUER COATED)  
US10B  
ANODIZED PAINTED





# FIXED PANEL PL350 TOP & PL600 BTM.

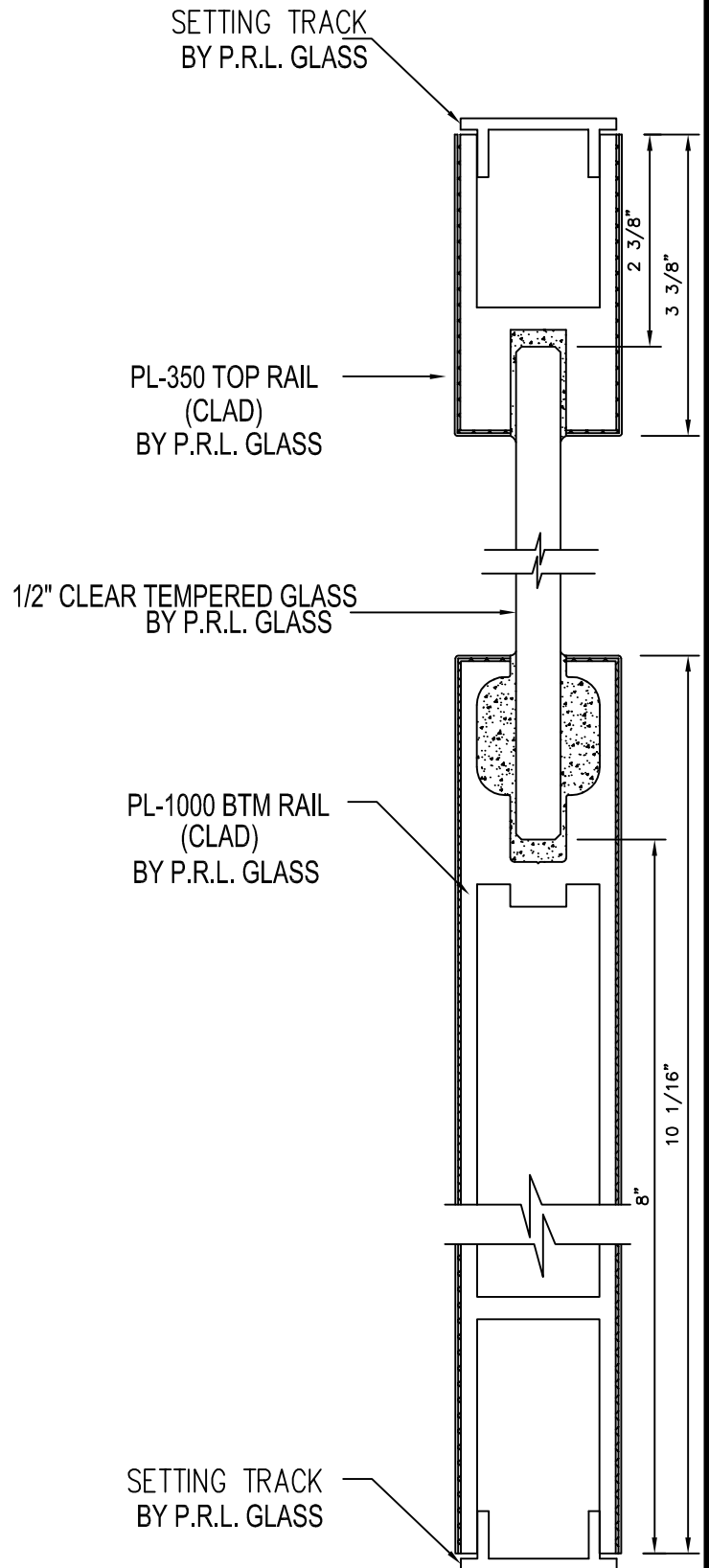
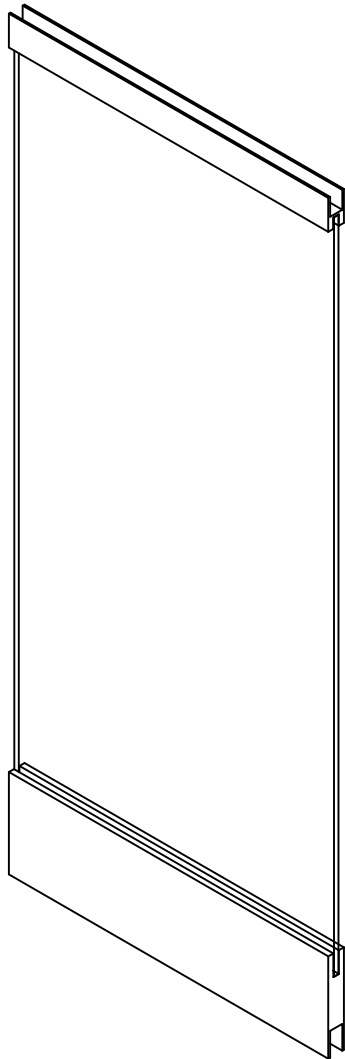
\* FINISHES AVAILABLE :  
# 8 POLISHED & # 4 SATIN  
STAINLESS  
US3 POLISHED & US4 SATIN  
BRASS ( NON LACQUER COATED )  
US10B  
ANODIZED PAINTED





# FIXED PANEL PL350 TOP & PL1000 BTM.

\* FINISHES AVAILABLE :  
# 8 POLISHED & # 4 SATIN  
STAINLESS  
US3 POLISHED & US4 SATIN  
BRASS ( NON LACQUER COATED )  
US10B  
ANODIZED PAINTED



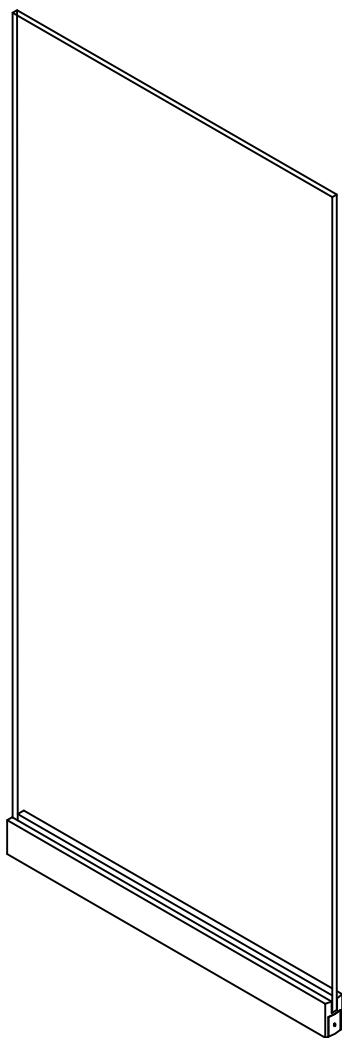


# FIXED PANEL PL375 BTM.

**PRL** GLASS  
SYSTEMS  
INC.



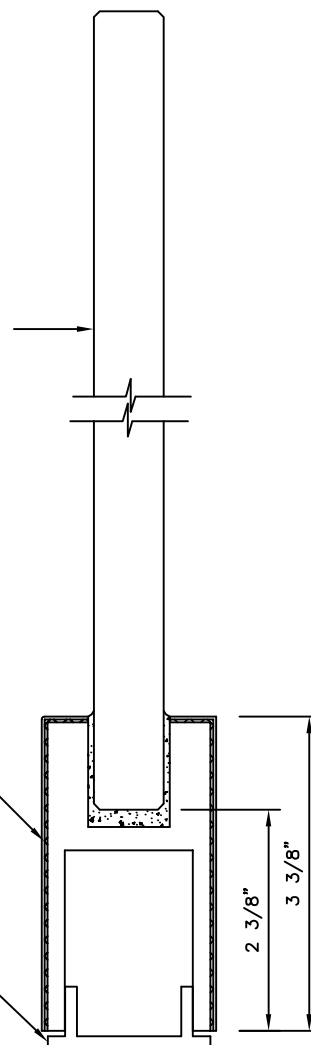
\* FINISHES AVAILABLE :  
# 8 POLISHED & # 4 SATIN  
STAINLESS  
US3 POLISHED & US4 SATIN  
BRASS ( NON LACQUER COATED )  
US10B  
ANODIZED PAINTED



$\frac{3}{4}$ " CLEAR TEMPERED GLASS  
BY P.R.L. GLASS

PL-375 BTM RAIL  
(CLAD)  
BY P.R.L. GLASS

SETTING TRACK  
BY P.R.L. GLASS

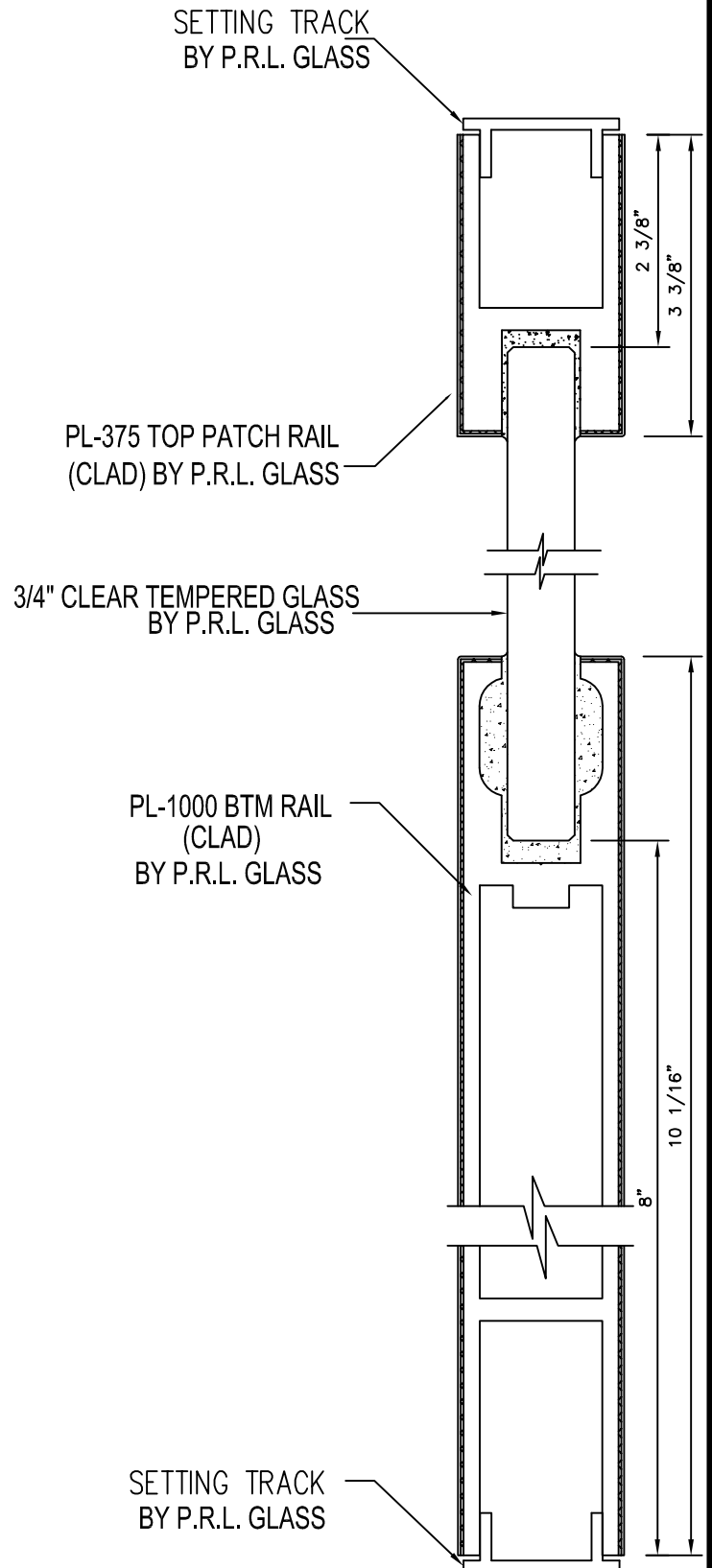
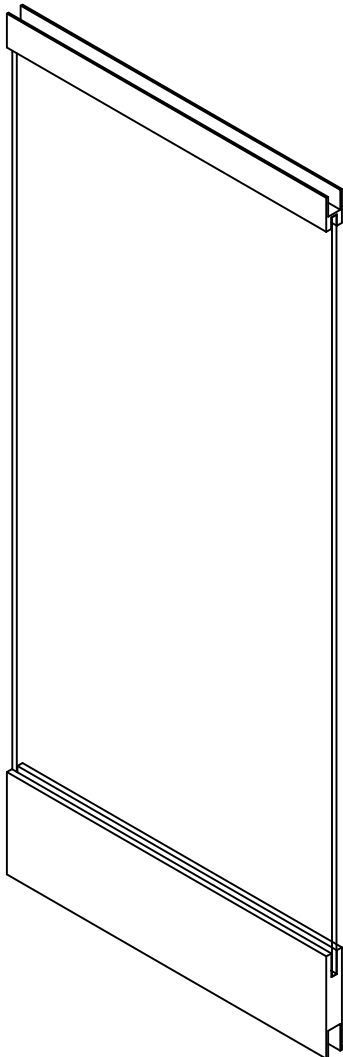


# FIXED PANEL PL375 TOP PL1000 BTM.

**PRL** GLASS SYSTEMS INC.



\* FINISHES AVAILABLE :  
# 8 POLISHED & # 4 SATIN  
STAINLESS  
US3 POLISHED & US4 SATIN  
BRASS ( NON LACQUER COATED )  
US10B  
ANODIZED PAINTED

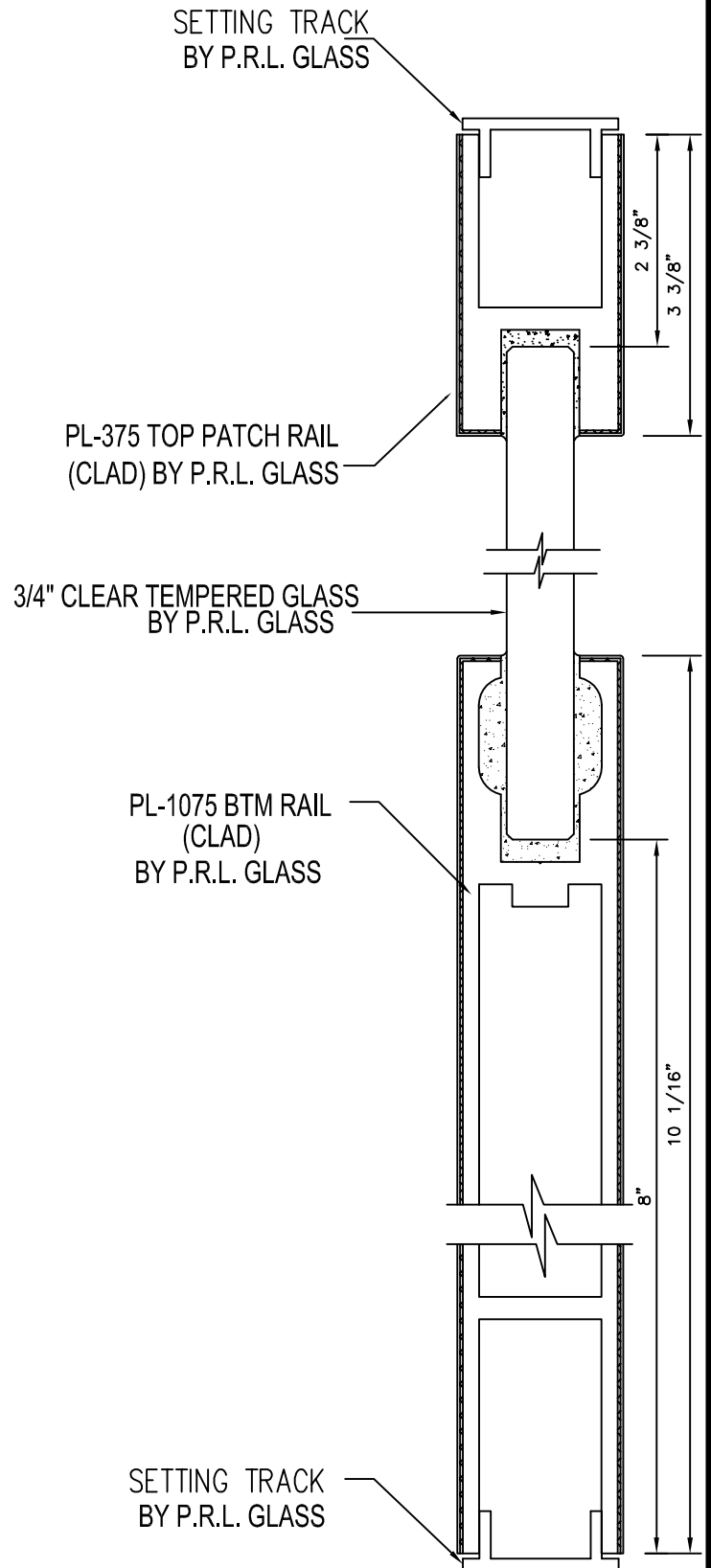
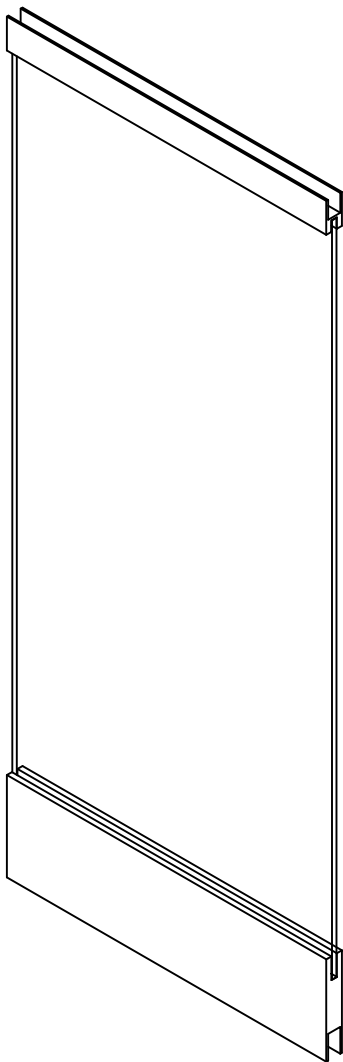


# FIXED PANEL PL375 TOP PL1075 BTM.

**PRL** GLASS SYSTEMS INC.



\* FINISHES AVAILABLE :  
# 8 POLISHED & # 4 SATIN  
STAINLESS  
US3 POLISHED & US4 SATIN  
BRASS ( NON LACQUER COATED )  
US10B  
ANODIZED PAINTED

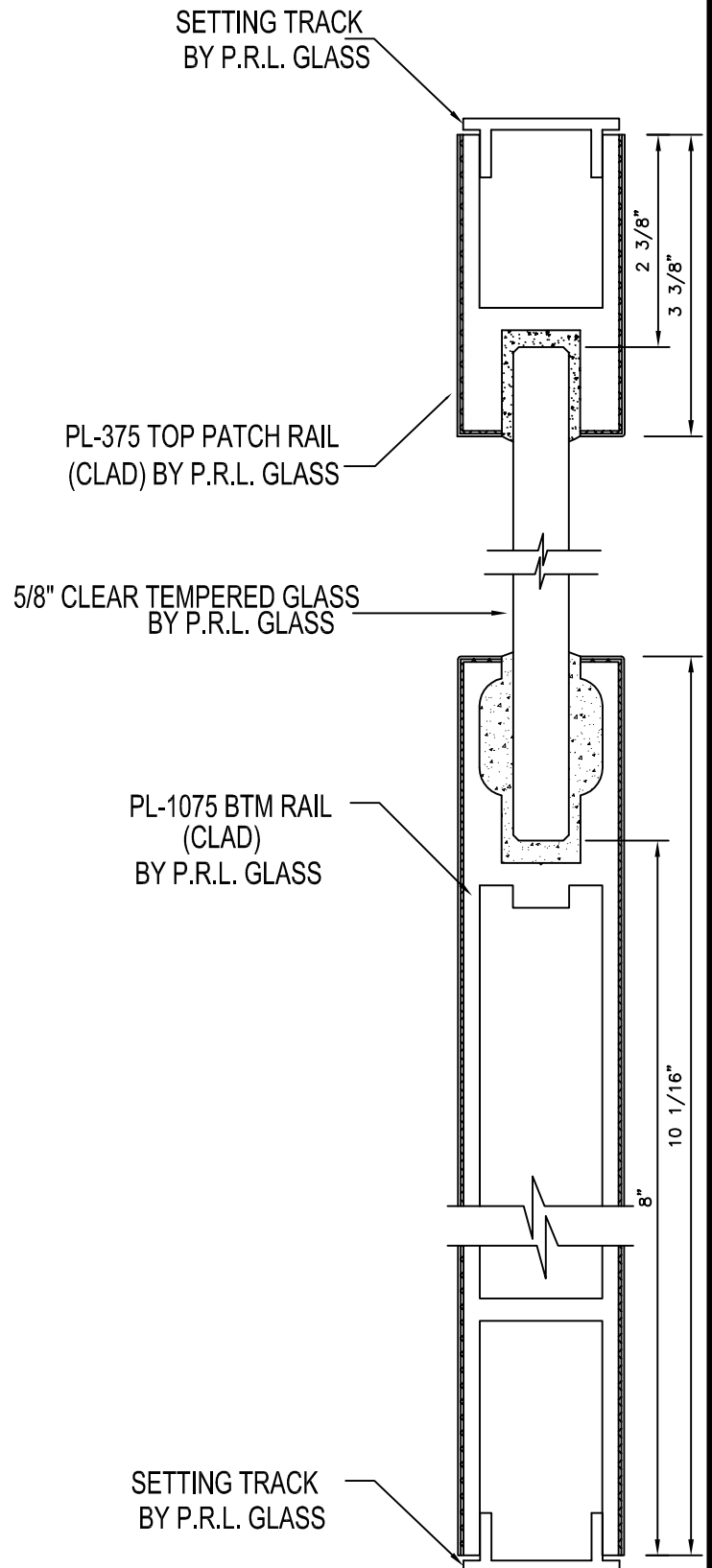
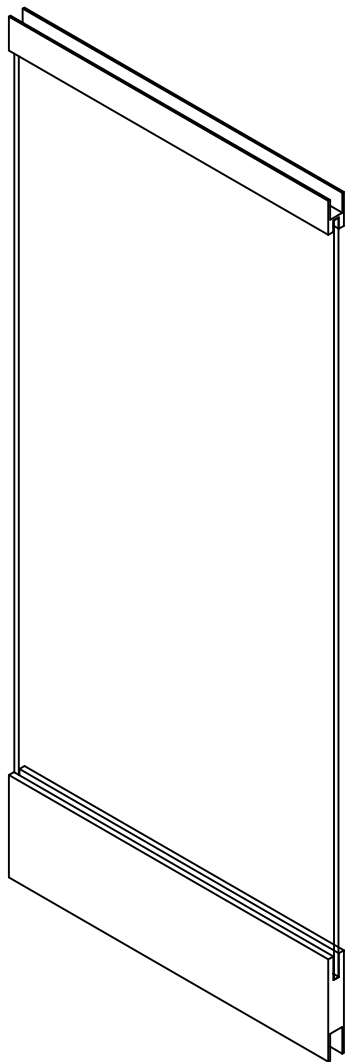


# FIXED PANEL PL375 TOP PL1075 BTTM.

**PRL** GLASS SYSTEMS INC.



\* FINISHES AVAILABLE :  
# 8 POLISHED & # 4 SATIN  
STAINLESS  
US3 POLISHED & US4 SATIN  
BRASS ( NON LACQUER COATED )  
US10B  
ANODIZED PAINTED

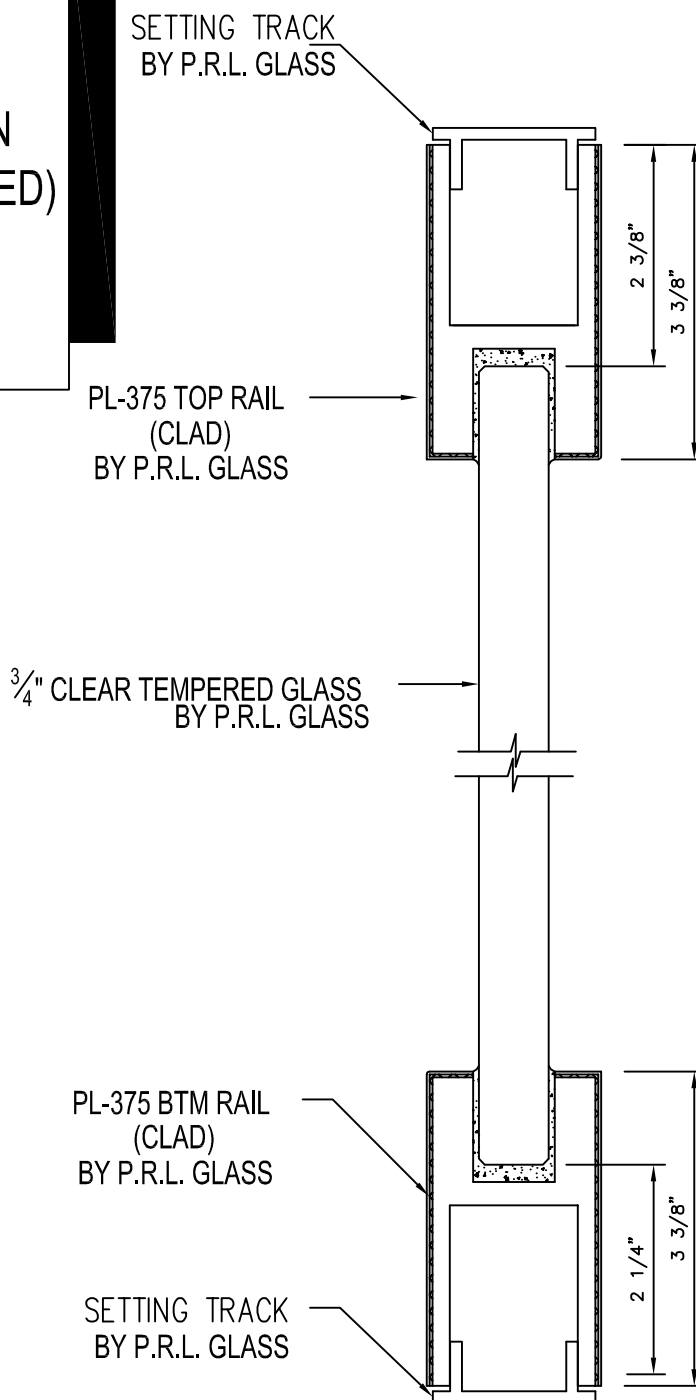
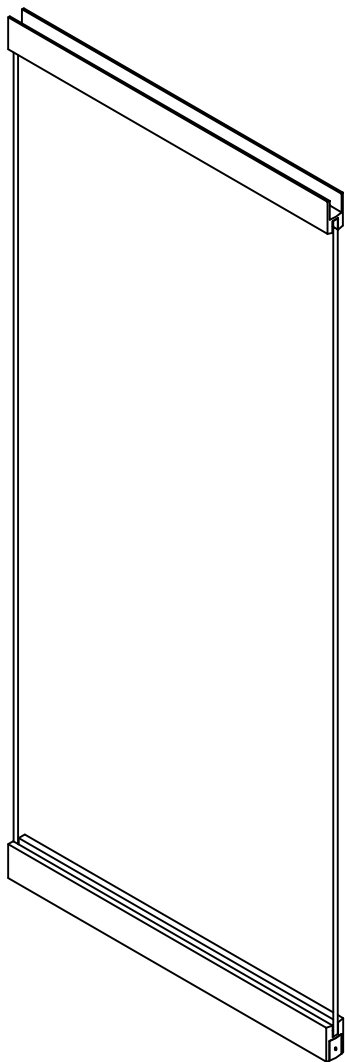


# FIXED PANEL PL375 TOP & BTM.

**PRL** GLASS SYSTEMS INC.



\* FINISHES AVAILABLE :  
# 8 POLISHED & # 4 SATIN  
STAINLESS  
US3 POLISHED & US4 SATIN  
BRASS ( NON LACQUER COATED )  
US10B  
ANODIZED PAINTED

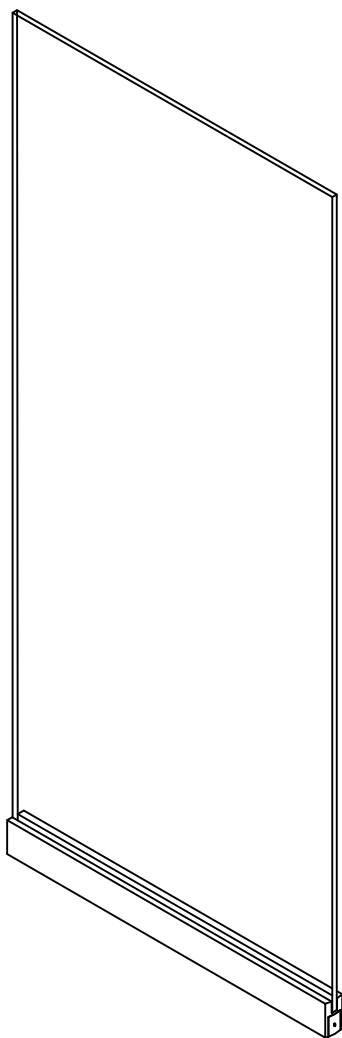


# FIXED PANEL PL387 BTTM.

**PRL** GLASS  
SYSTEMS  
INC.



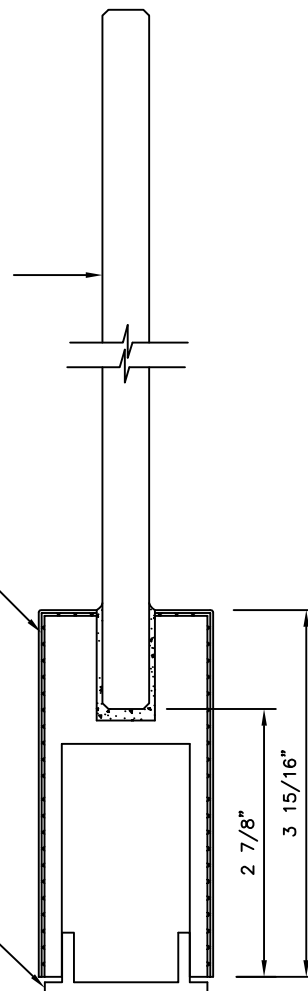
\* FINISHES AVAILABLE :  
# 8 POLISHED & # 4 SATIN  
STAINLESS  
US3 POLISHED & US4 SATIN  
BRASS ( NON LACQUER COATED )  
US10B  
ANODIZED PAINTED



$\frac{1}{2}$ " CLEAR TEMPERED GLASS  
BY P.R.L. GLASS

PL-387 BTM RAIL  
(CLAD)  
BY P.R.L. GLASS

SETTING TRACK  
BY P.R.L. GLASS

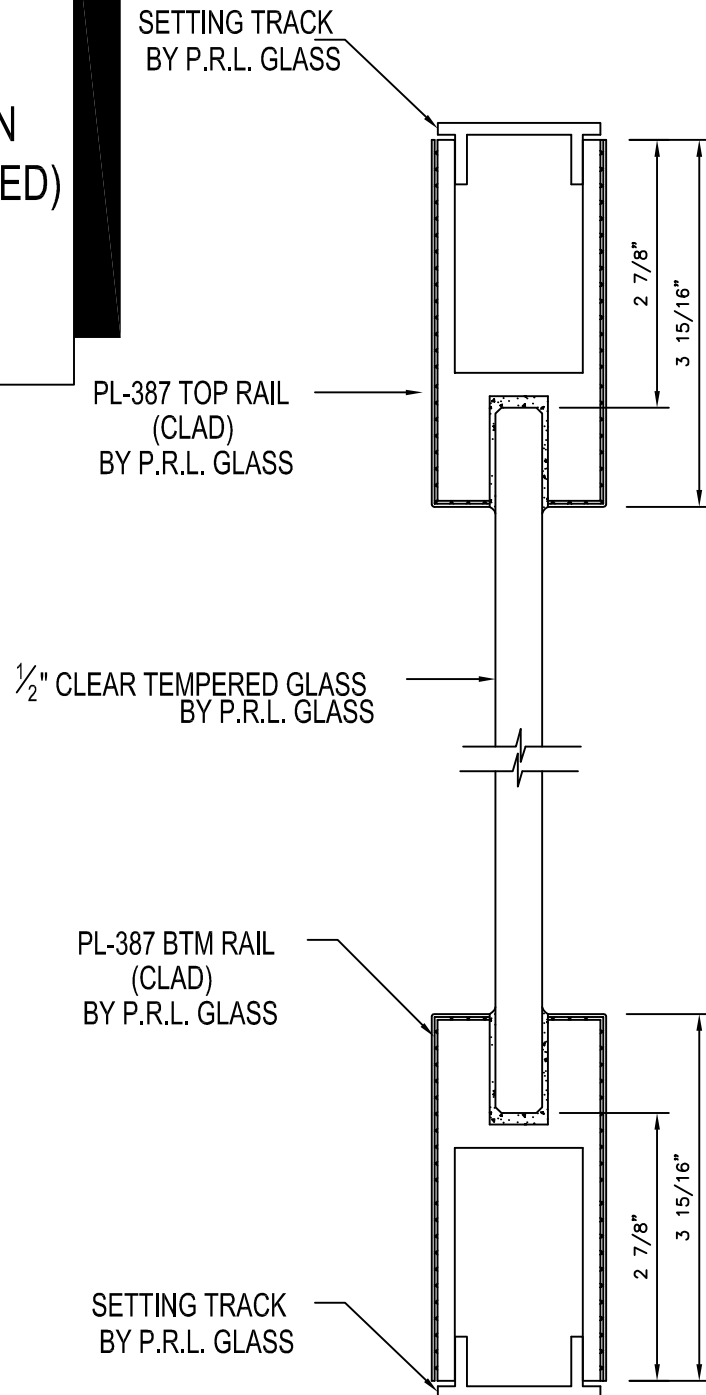
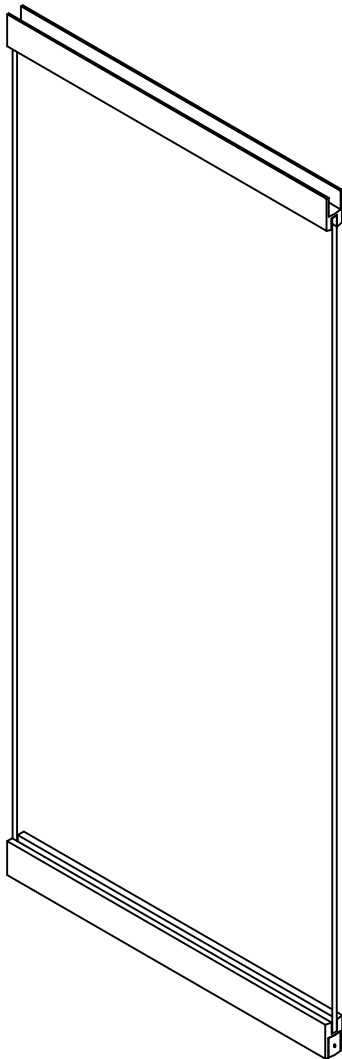


# FIXED PANEL PL387 TOP & BTM.

**PRL** GLASS SYSTEMS  
INC.



\* FINISHES AVAILABLE :  
# 8 POLISHED & # 4 SATIN  
STAINLESS  
US3 POLISHED & US4 SATIN  
BRASS ( NON LACQUER COATED )  
US10B  
ANODIZED PAINTED

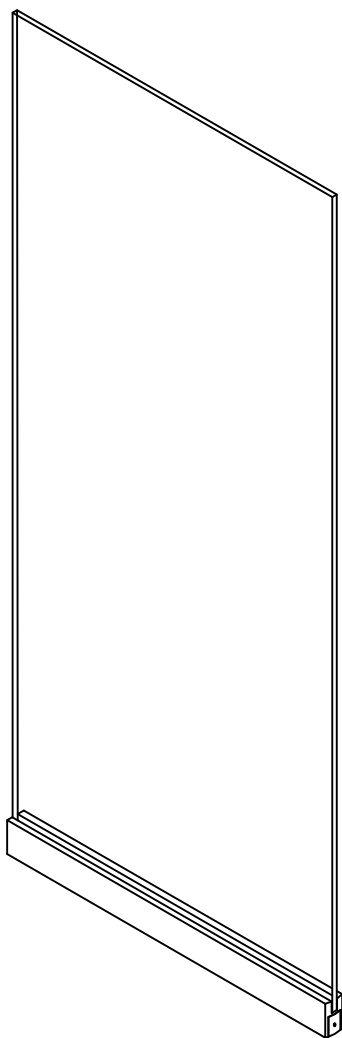


# FIXED PANEL PL600 BTM.

**PRL** GLASS  
SYSTEMS  
INC.



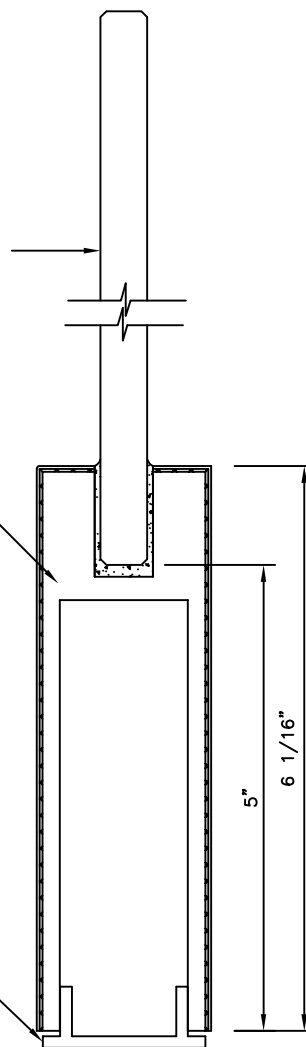
\* FINISHES AVAILABLE :  
# 8 POLISHED & # 4 SATIN  
STAINLESS  
US3 POLISHED & US4 SATIN  
BRASS ( NON LACQUER COATED )  
US10B  
ANODIZED PAINTED



1/2" CLEAR TEMPERED GLASS  
BY P.R.L. GLASS

PL-600 BTM RAIL  
(CLAD)  
BY P.R.L. GLASS

SETTING TRACK  
BY P.R.L. GLASS



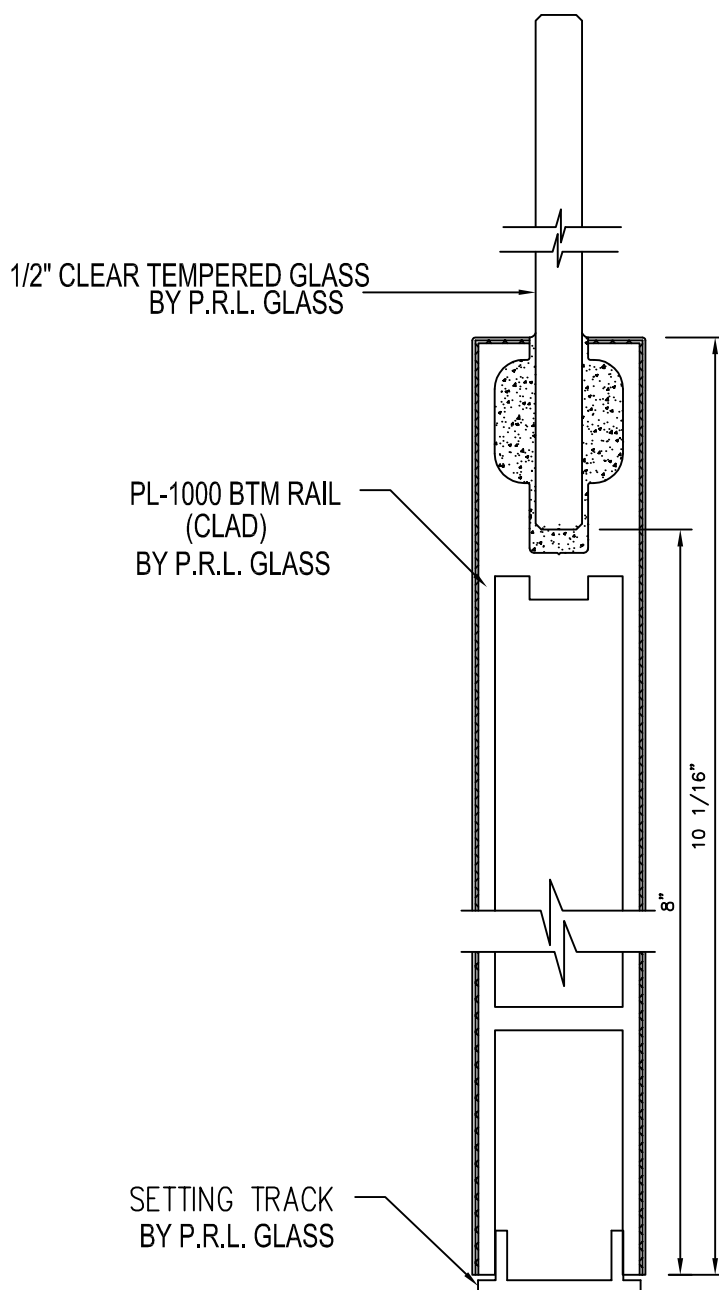
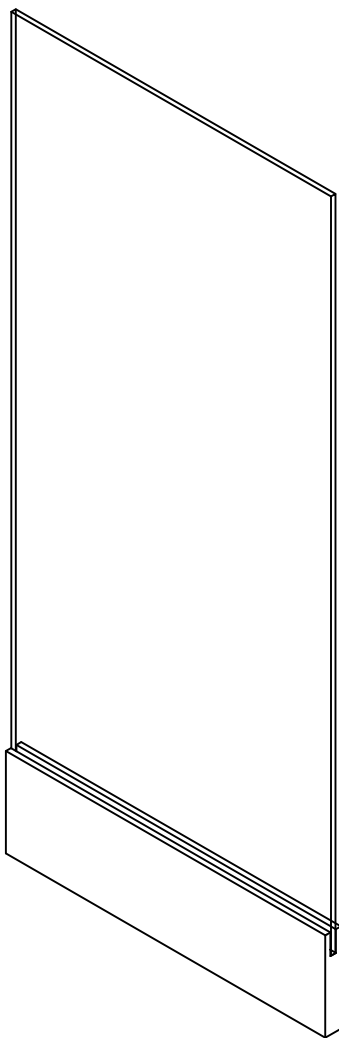


# FIXED PANEL PL1000 BTM.

**PRL** GLASS  
SYSTEMS  
INC.



\* FINISHES AVAILABLE :  
# 8 POLISHED & # 4 SATIN  
STAINLESS  
US3 POLISHED & US4 SATIN  
BRASS ( NON LACQUER COATED )  
US10B  
ANODIZED PAINTED

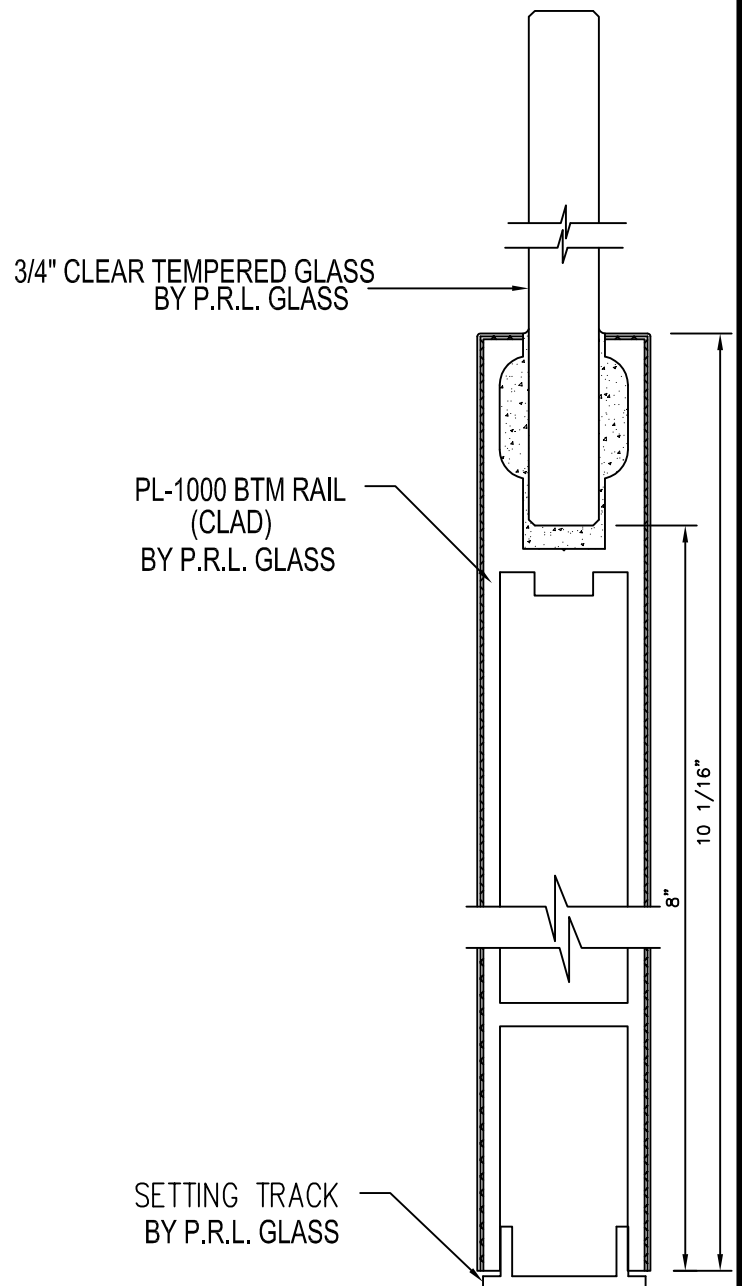
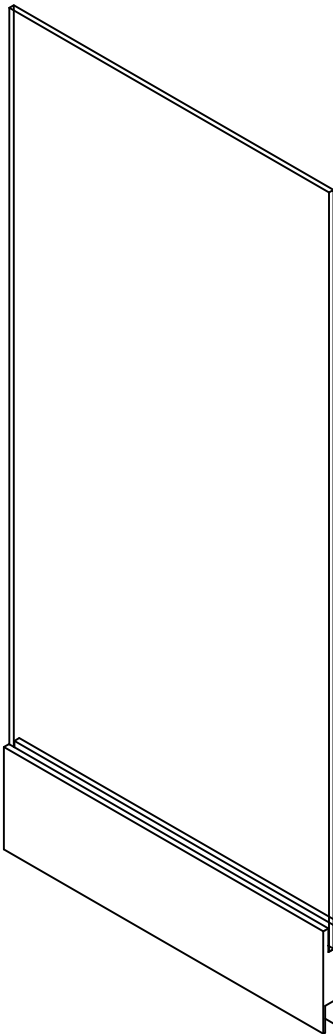


# FIXED PANEL PL1000 BTM.

**PRL** GLASS  
SYSTEMS  
INC.



\* FINISHES AVAILABLE :  
# 8 POLISHED & # 4 SATIN  
STAINLESS  
US3 POLISHED & US4 SATIN  
BRASS ( NON LACQUER COATED )  
US10B  
ANODIZED PAINTED

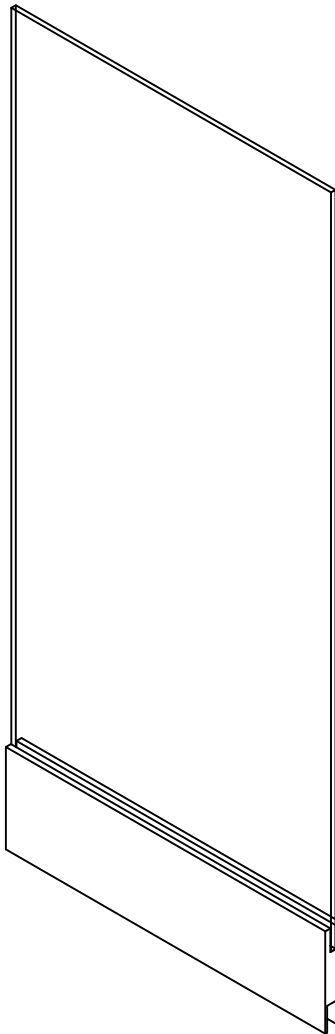


# FIXED PANEL PL1075 BTM.

**PRL** GLASS  
SYSTEMS  
INC.



\* FINISHES AVAILABLE :  
# 8 POLISHED & # 4 SATIN  
STAINLESS  
US3 POLISHED & US4 SATIN  
BRASS ( NON LACQUER COATED )  
US10B  
ANODIZED PAINTED



3/4" CLEAR TEMPERED GLASS  
BY P.R.L. GLASS

PL-1075 BTM RAIL  
(CLAD)  
BY P.R.L. GLASS

SETTING TRACK  
BY P.R.L. GLASS

